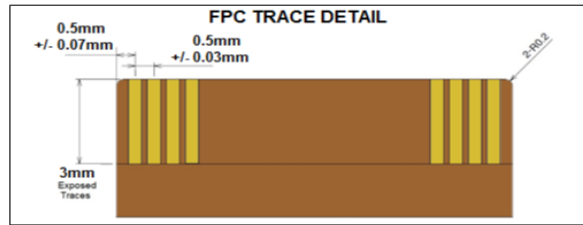
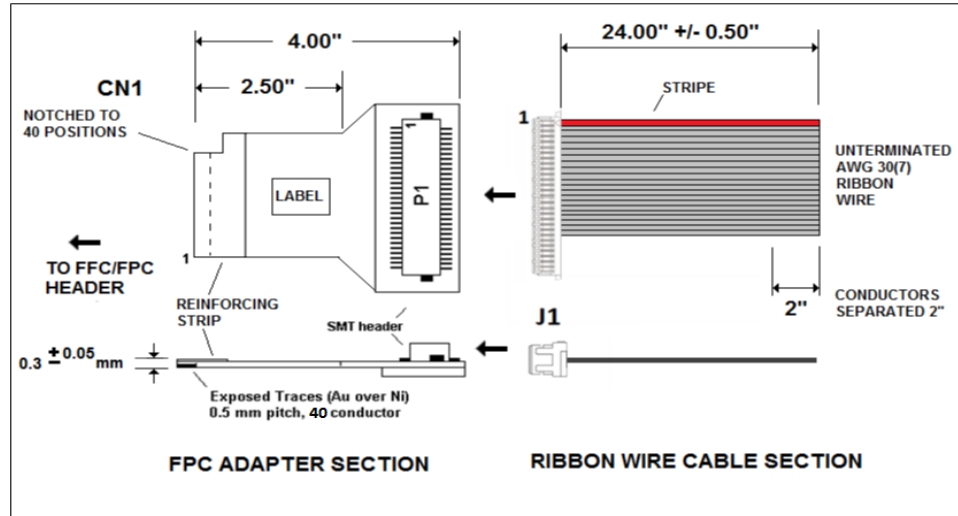


CN1	P1(J1)	WIRE COLOR
1	2	Gray
2	1	Stripe
3	4	Gray
4	3	Gray
5	6	Gray
6	5	Gray
7	8	Gray
8	7	Gray
9	10	Gray
10	9	Gray
11	12	Gray
12	11	Gray
13	14	Gray
14	13	Gray
15	16	Gray
16	15	Gray
17	18	Gray
18	17	Gray
19	20	Gray
20	19	Gray
21	22	Gray
22	21	Gray
23	24	Gray
24	23	Gray
25	26	Gray
26	25	Gray
27	28	Gray
28	27	Gray
29	30	Gray
30	29	Gray

CN1	P1(J1)	WIRE COLOR
31	32	Gray
32	31	Gray
33	34	Gray
34	33	Gray
35	36	Gray
36	35	Gray
37	38	Gray
38	37	Gray
39	40	Gray
40	39	Gray



CONVERTS FROM 0.50MM PITCH FFC/FPC INTERFACE TO RIBBON WIRE  
SEE NEXT PAGE FOR PICTURES AND ADDITIONAL INFORMATION



DWG BY: PT	DATE: 9/2/15	DRAWINGS ARE NOT TO SCALE. ALL DIMENSIONS ARE IN INCHES UNLESS OTHERWISE SPECIFIED. ALL TOLERANCES ARE +/- 0.50" UNLESS OTHERWISE SPECIFIED
CHK BY:	DATE:	
APPR: -	DATE: -	

REVISION HISTORY			
REV		DATE	APPROVED
---	INITIAL RELEASE	6/27/06	GLR
---	DRAWING UPDATE, LENGTH INCREASE	9/2/15	PT



Quadrangle Products Inc.

Quadrangle Products Inc.  
28 Harrison Ave Suite 105,  
Englishtown, NJ 07726

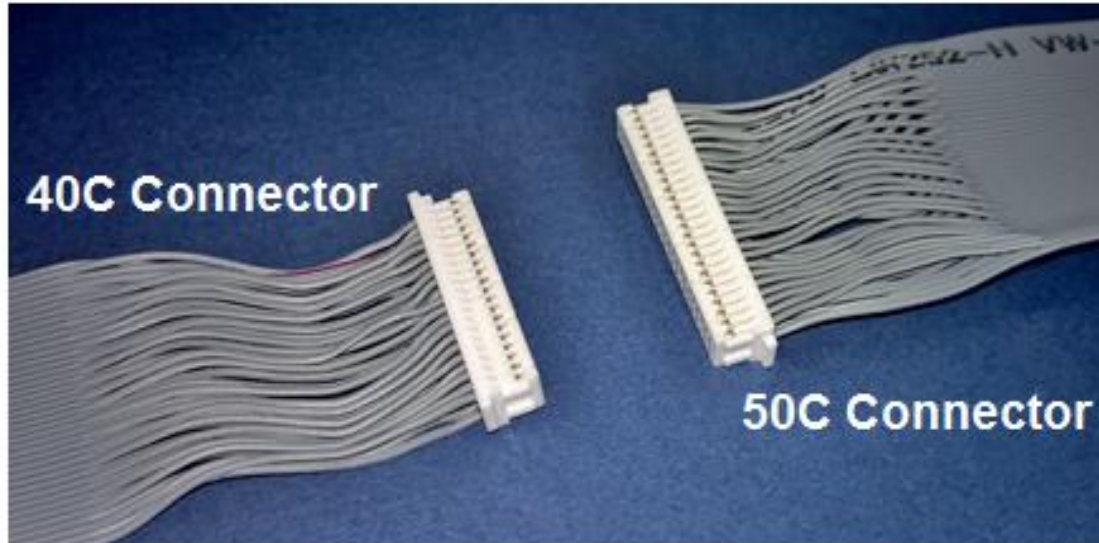
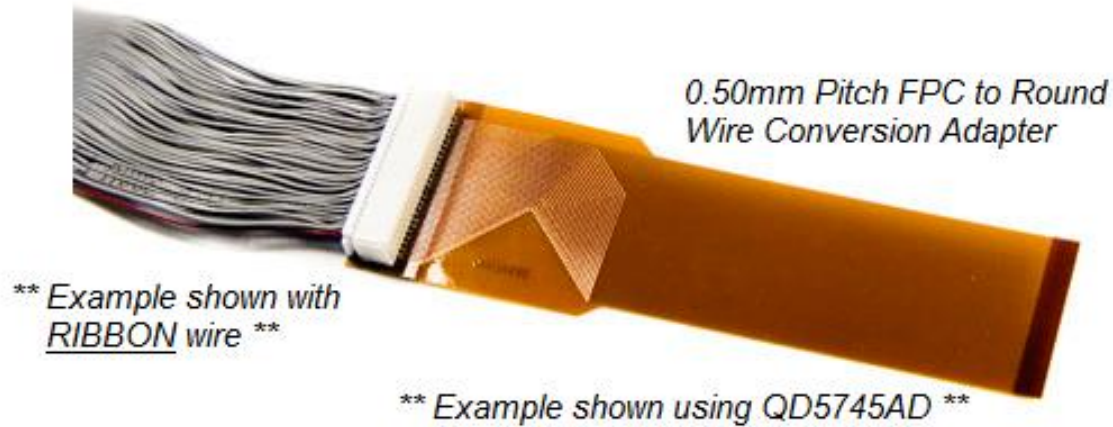
Tel: 732-792-1234  
Fax: 732-792-8305

© Copyright 2006 Quadrangle Products Inc.  
This document is confidential and proprietary to Quadrangle Products Inc. and shall not be reproduced, copied, used, or issued as the basis of manufacturing and/or sale of equipment, material, or any other item. Quadrangle Products Inc. has the sole and exclusive ownership rights to this document and information contained herein.

**RT-700G-40-RIB  
CABLE KIT**

FPC Adapter Part Number :  
**QD5747AD** (33 Conductor Base)  
(2-33 Conductors When Customized)

FPC Adapter Part Number :  
**QD5745AD** (50 Conductor Base)  
(2-50 Conductors When Customized)



Ribbon Wire Flying Lead Part Number (40C) : **QD6020** (Used with QD5747AD)

Ribbon Wire Flying Lead Part Number (50C) : **QD6022** (Used with QD5745AD)

Additional Part Number Specifications Available Upon Request. Contact [engineering@quadrangleproducts.com](mailto:engineering@quadrangleproducts.com)