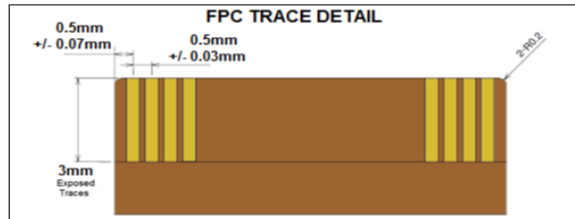
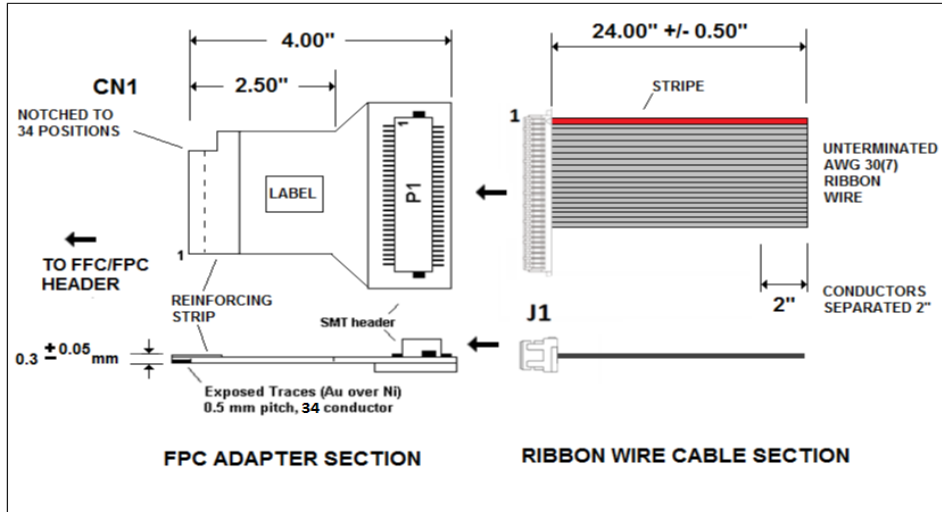


| CN1 | P1(J1) | WIRE COLOR |
|-----|--------|------------|
| 1 | 2 | Gray |
| 2 | 1 | Stripe |
| 3 | 4 | Gray |
| 4 | 3 | Gray |
| 5 | 6 | Gray |
| 6 | 5 | Gray |
| 7 | 8 | Gray |
| 8 | 7 | Gray |
| 9 | 10 | Gray |
| 10 | 9 | Gray |
| 11 | 12 | Gray |
| 12 | 11 | Gray |
| 13 | 14 | Gray |
| 14 | 13 | Gray |
| 15 | 16 | Gray |
| 16 | 15 | Gray |
| 17 | 18 | Gray |
| 18 | 17 | Gray |
| 19 | 20 | Gray |
| 20 | 19 | Gray |
| 21 | 22 | Gray |
| 22 | 21 | Gray |
| 23 | 24 | Gray |
| 24 | 23 | Gray |
| 25 | 26 | Gray |
| 26 | 25 | Gray |
| 27 | 28 | Gray |
| 28 | 27 | Gray |
| 29 | 30 | Gray |
| 30 | 29 | Gray |

| CN1 | P1(J1) | WIRE COLOR |
|-----|--------|------------|
| 31 | 32 | Gray |
| 32 | 31 | Gray |
| 33 | 34 | Gray |
| 34 | 33 | Gray |



CONVERTS FROM 0.50MM PITCH FFC/FPC INTERFACE TO RIBBON WIRE
SEE NEXT PAGE FOR PICTURES AND ADDITIONAL INFORMATION



| DWG BY: PT | DATE: 9/2/15 | DRAWINGS ARE NOT TO SCALE. ALL DIMENSIONS ARE IN INCHES UNLESS OTHERWISE SPECIFIED. ALL TOLERANCES ARE +/- 0.50" UNLESS OTHERWISE SPECIFIED | |
|------------------|---------------------------------|---|----------|
| CHK BY: | DATE: | | |
| APPR: - | DATE: - | | |
| REVISION HISTORY | | | |
| REV | | DATE | APPROVED |
| --- | INITIAL RELEASE | 6/27/06 | GLR |
| --- | DRAWING UPDATE, LENGTH INCREASE | 9/2/15 | PT |
| | | | |
| | | | |



Quadrangle Products Inc.

Quadrangle Products Inc.
28 Harrison Ave Suite 105,
Englishtown, NJ 07726

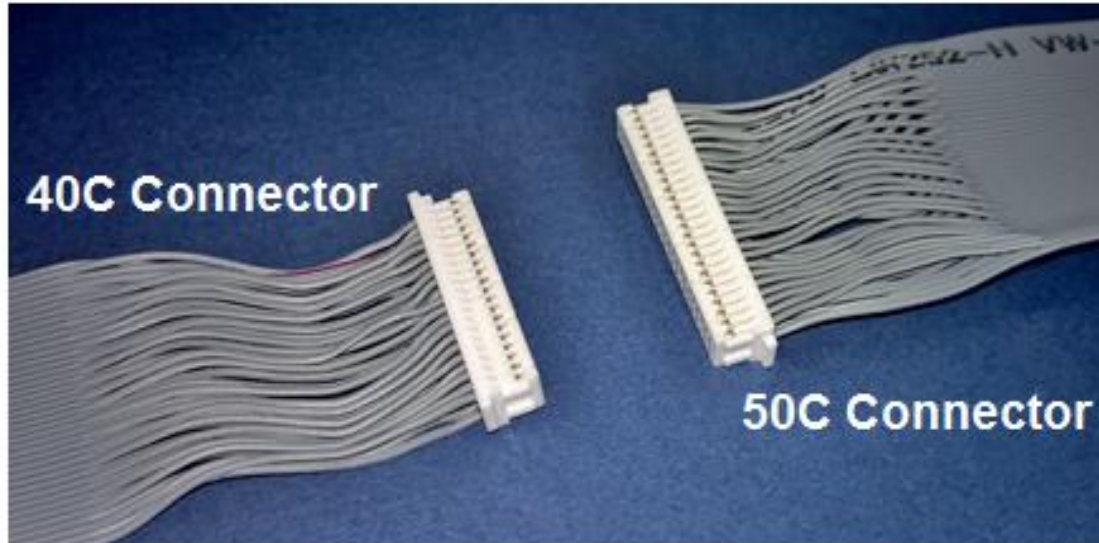
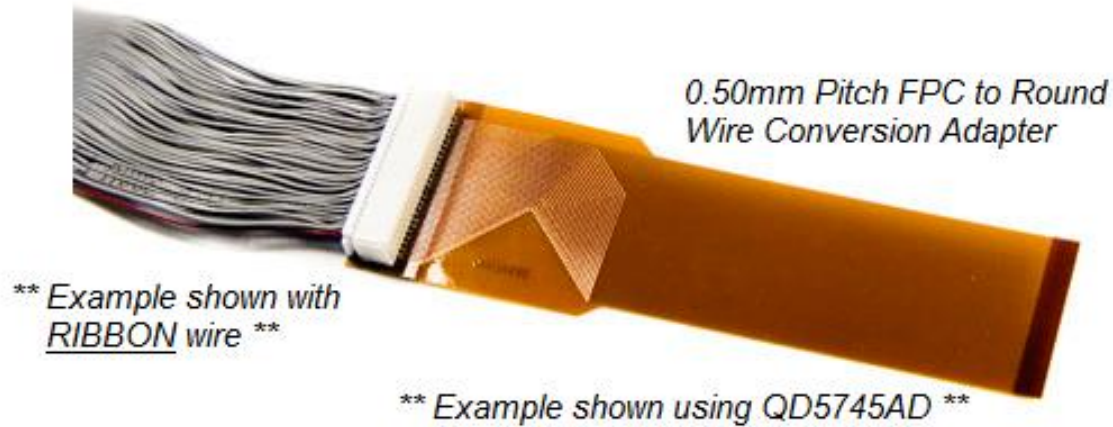
Tel: 732-792-1234
Fax: 732-792-8305

© Copyright 2006 Quadrangle Products Inc.
This document is confidential and proprietary to Quadrangle Products Inc. and shall not be reproduced, copied, used, or issued as the basis of manufacturing and/or sale of equipment, material, or any other item. Quadrangle Products Inc. has the sole and exclusive ownership rights to this document and information contained herein.

**RT-700G-34-RIB
CABLE KIT**

FPC Adapter Part Number :
QD5747AD (33 Conductor Base)
(2-33 Conductors When Customized)

FPC Adapter Part Number :
QD5745AD (50 Conductor Base)
(2-50 Conductors When Customized)



Ribbon Wire Flying Lead Part Number (40C) : **QD6020** (Used with QD5747AD)

Ribbon Wire Flying Lead Part Number (50C) : **QD6022** (Used with QD5745AD)

Additional Part Number Specifications Available Upon Request. Contact engineering@quadrangleproducts.com