

P/N: QD20305

Revision History

Rev	Date	Description	Eng
----	1/21/16	Initial Release	VB/PT

Color	P1	CN1	CN2	CN3
Black	1	1	4	
Brown	2	2	1	
Red	3	3	5	
Orange	4	4	2	
Yellow	5	5	6	
Green	6	6	3	
Blue	7	7		4
Violet	8	8		1
Gray	9	9		5
White	10	10		2
Black	11	11		6
Brown	12	12		3

13-50(NC)

CN1 = JST SHDR-50V-S-B

CN2 = JST SHLP-06V-S-B

CN3 = JST SHLP-06V-S-B

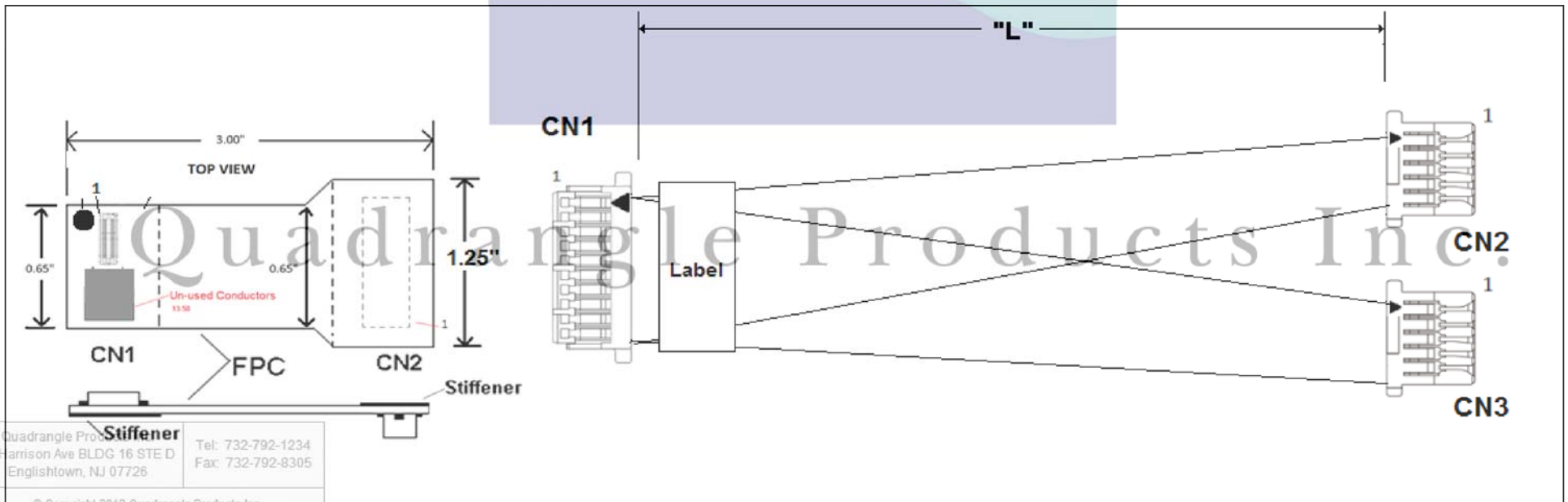
Wire = UL1571 28(7)AWG

Length = "L" = 12.00" +/- 0.50"

ATTACH QD15150-AXT512124 (600-00082) FPC TO DISCRETE WIRE CABLE

MARK WITH WHITE DOT AS SHOWN

LABEL 3 = QD# + CODE



Quadrangle Products Inc.
 28 Harrison Ave BLDG 16 STE D
 Englishtown, NJ 07726
 Tel: 732-792-1234
 Fax: 732-792-8305

© Copyright 2012 Quadrangle Products Inc.
 This document is confidential and proprietary to Quadrangle Products Inc. and shall not be reproduced, copied, used, or issued as the basis of manufacturing and/or sale of equipment, material, or any other item. Quadrangle Products Inc. has the sole and exclusive ownership rights to this document and information contained herein.