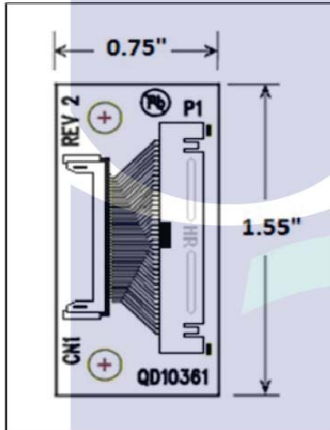


CN1	CN2
1	1
2	2
3	3
4	4
5	5
6	6
7	7
8	8
9	9
10	10
11	11
12	12
13	13
14	14
15	15
16	16
17	17
18	18
19	19
20	20
21	21
22	22
23	23
24	24
25	25
26	26
27	27
28	28
29	29
30	30
31	31
32	32
33	33
34	34
35	35
36	36
37	37
38	38
39	39
40	40
nc	41

CN1 - 20347-340E-12
P1 = FI-W41P-HF OR EQUAL
PCB THICKNESS = 0.031"



CN1 MATES WITH IPEX 20346-40T
CN2 MATES WITH JAE FI-W41S

**QD10361 REV A
PART PICTURE**



DWG BY: MHB	DATE: 7/23/09	DRAWINGS ARE NOT TO SCALE. ALL DIMENSIONS ARE IN INCHES UNLESS OTHERWISE SPECIFIED. ALL TOLERANCES ARE +/- 0.50" UNLESS OTHERWISE SPECIFIED
CHK BY:	DATE:	
APPR: -	DATE: -	

REVISION HISTORY

REV	DESCRIPTION	DATE	APPROVED
---	INITIAL RELEASE	7/23/09	MHB
A	MOUNTING HOLES ADDED	1/28/14	PT



Quadrangle Products Inc.

Quadrangle Products Inc.
28 Harrison Ave Bldg 16, Suite D,
Englishtown, NJ 07726

Tel: 732-792-1234
Fax: 732-792-8305

© Copyright 2006 Quadrangle Products Inc.
This document is confidential and proprietary to Quadrangle Products Inc. and shall not be reproduced, copied, used, or issued as the basis of manufacturing and/or sale of equipment, material, or any other item. Quadrangle Products Inc. has the sole and exclusive ownership rights to this document and information contained herein.

**QD10361
REV A**