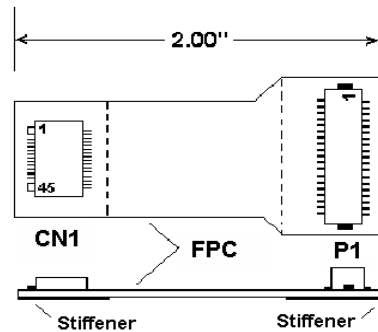
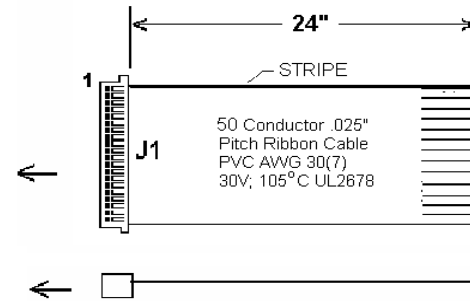


CN1	P1(J1)
1	1
2	2
3	3
4	4
5	5
6	6
7	7
8	8
9	9
10	10
11	11
12	12
13	13
14	14
15	15
16	16
17	17
18	18
19	19
20	20
21	21
22	22
23	23
24	24
25	25
26	26
27	27
28	28
29	29
30	30

CN1	P1(J1)
31	31
32	32
33	33
34	34
35	35
36	36
37	37
38	38
39	39
40	40
41	41
42	42
43	43
44	44
45	45
	46
	47
	48
	49
	50



FPC ADAPTER SECTION



Conductors Separated 2"

RIBBON CABLE SECTION

DRAWING NOT TO SCALE

DWG BY: GLR	DATE: 2/8/07	DRAWINGS ARE NOT TO SCALE. ALL DIMENSIONS ARE IN INCHES UNLESS OTHERWISE SPECIFIED. ALL TOLERANCES ARE +/- 0.50" UNLESS OTHERWISE SPECIFIED
CHK BY: GLR	DATE: 2/8/07	
APPR: GLR	DATE: 2/8/07	

REVISION HISTORY

REV	DESCRIPTION	DATE	APPROVED
-----	INITIAL RELEASE	2/8/2007	GLR



Quadrangle Products Inc.  
28 Harrison Ave Suite 241  
Englishtown, NJ 07726

Tel: 732-792-1234  
Fax: 732-792-8305

© Copyright 2006 Quadrangle Products Inc. This document is confidential and proprietary to Quadrangle Products Inc. and shall not be reproduced, copied, used, or issued as the basis of manufacture or sale of equipment, material, or any other item. Quadrangle Products Inc. has the sole and exclusive ownership rights to this document and information contained herein.

**LCD-117-RIB  
CABLE KIT**